

WS18X

1000 watt vented sub-bass system

features

- ▶ Direct radiating, long excursion 18" (460mm) driver
- ▶ High temperature 4" (100mm) voice coil
- ▶ High power 132dB continuous, 138dB peak
- ▶ Fitted with integral handles and castors

applications

- ▶ Theatre sound systems
- ▶ Small to medium touring systems
- ▶ Club sound reinforcement
- ▶ Special effects sub-bass

The WS18X is a high performance sub-bass system designed for use with small to medium Wavefront systems, in both touring and install applications. It features a 1000 watt 18" (460mm) drive unit with magnet structure and suspension engineered for maximum linear excursion. The birch ply cabinet is fitted with four pocket handles and four 4" (100mm) castors for easy deployment. It features large area porting to reduce air noise. A top hat fitting allows mid-top cabinets to be mounted on the WS18X using the HAM09015 adjustable pole. WS18X subwoofers are designed to be powered by Martin Audio MA9.6K or MA4.2s amplifiers.

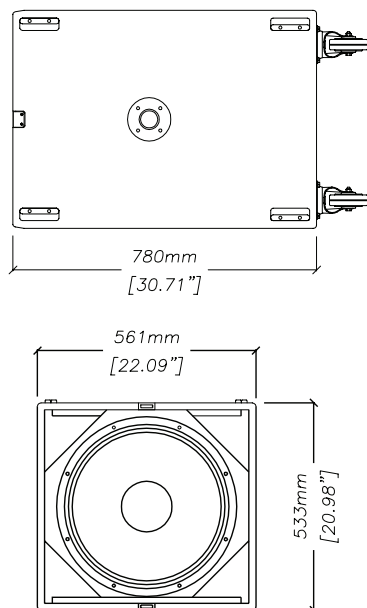


touring and theatre

technical specifications

| | |
|--------------------------|--|
| TYPE | Compact, vented sub-bass system |
| FREQUENCY RESPONSE (1) | 35Hz-150Hz ± 3dB, -10dB @ 28Hz |
| DRIVER | 18" (460mm)/4" (100mm) voice coil, ultra-long excursion, water resistant cone |
| RATED POWER (2) | 1000W AES, 4000W peak |
| SENSITIVITY (3) | 102dB (half space) |
| MAXIMUM SPL (4) | 132dB continuous, 138dB peak (half space) |
| NOMINAL IMPEDANCE | 8 ohms |
| CROSSOVER | 80Hz-150Hz, via DX1 or DX2 controller |
| ENCLOSURE | 160 litre, multi-laminate birch ply |
| FINISH | Textured black paint |
| PROTECTIVE GRILLE | Black perforated steel |
| CONNECTORS | 2 x Neutrik NL8 |
| PIN CONNECTIONS | LF+, -: 1+, 1- & 2+, 2- Link thro: 3+, 3-, 4+, 4- |
| FITTINGS | 4 x 4" (100mm) castors 4 x pocket handles 2 x front lid fittings 1 x mounting pole socket |
| DIMENSIONS (inc. wheels) | (W) 561mm x (H) 533mm x (D) 780mm (911mm) (W) 22.1ins x (H) 21ins x (D) 30.7ins (35.9ins) |
| WEIGHT | 52.5kg (116lbs) |

overall dimensions



Century Point, Halifax Road, Cressex Business Park,
High Wycombe, Buckinghamshire HP12 3SL, England.
Telephone: +44 (0)1494 535312 Facsimile: +44 (0)1494 438669
E-mail: info@martin-audio.com
All information is Copyright © 2007 Martin Audio Ltd.



www.martin-audio.com